

Array

1820

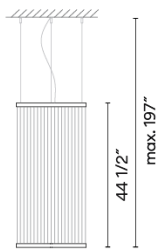
Design By Umut Yamac

The Array pendant combines a series of fine technical filaments between two rings, The indirect light rises through the cylindrical form creating a color gradient.



VIBIA

Spec sheet



Optional: Extra cable length
Min. Quantity, upcharge and extra lead time apply

- Finish**
- 37 Terra Red
NCS S 4040-Y70R
 - 47 Green L1
NCS S 4005-G80Y
 - 24 Beige M1
NCS S 2005-Y50R

LED color temperature 2700 K

Dimming 0-10V

Installation type Remote Micro / Surface

Materials Upper ring: Aluminum
Bottom ring: Brass
Diffuser: PC- Polycarbonate
Threads: PES FR

Light source 1 x LED STRIP 33W 48V

LED CRI>90 3993 lm 121
2700 K

Driver Constant Voltage 100~277 V V
50~60 Hz HZ

Dimmable LED IP20 Multi-volt

UL18 Dry Location 50-60Hz 0-10V

Application Pendants

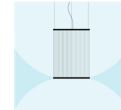
Packaging Box

Gross weight
Net weight

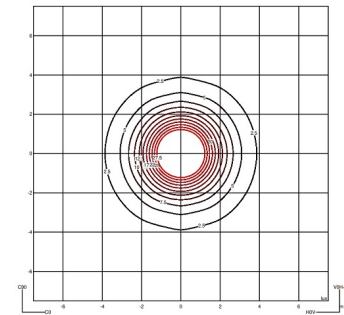
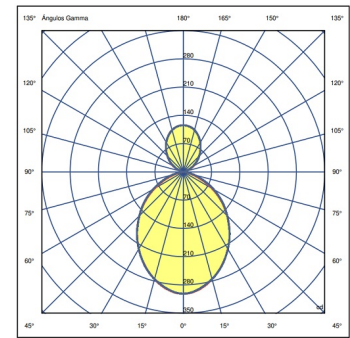
Lighting effect

General lighting

Lamp for general lighting that equally distributes the light in all directions.

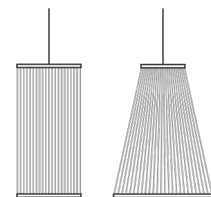


Photometric Data



Efficiency 100%
Coordination System CG
Total Flux 889
Maximum Value 301.92 cd

Other Applications



Array

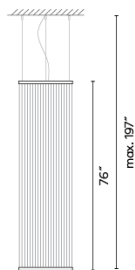
1825

Design By Umut Yamac

The large-scale cylindrical silhouette hanging Array lamp wraps around the space rather than dominating it thanks to the spacious spread of the filaments creating a more translucent volume. Evoking an ethereal visual sensation.

VIBIA

Spec sheet



Optional: Extra cable length
Min. Quantity, upcharge and extra lead time apply

Finish

- 37 Terra Red
NCS S 4040-Y70R
- 24 Beige M1
NCS S 2005-Y50R
- 47 Green L1
NCS S 4005-G80Y

LED color temperature 2700 K

Dimming 0-10V

Installation type Surface / Remote Micro

Materials Upper ring: Aluminum
Bottom ring: Brass
Diffuser: PC- Polycarbonate
Threads: PES FR

Light source 1 x LED STRIP 33W 48V

LED CRI>90 3993 lm 121
2700 K

Driver Constant Voltage 100~277 V V
50~60 Hz HZ

Dimmable LED IP20 Multi-volt

UL Dry Location 50-60Hz 0-10V

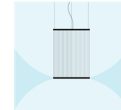
Application Pendants

Packaging 1 Box
4.72 m x 24.41 m x 24.41 m
Gross weight 20.26
Net weight 15.42
Vol. 1.628

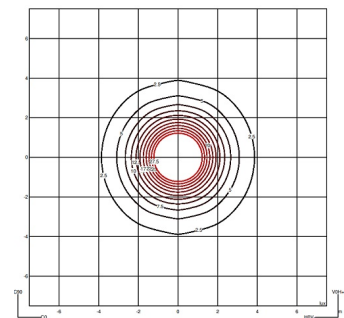
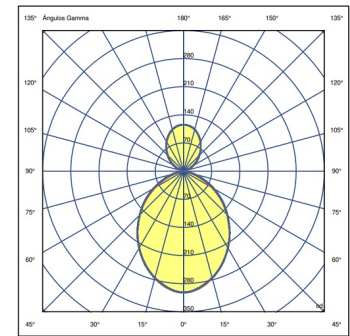
Lighting effect

General lighting

Lamp for general lighting that equally distributes the light in all directions.

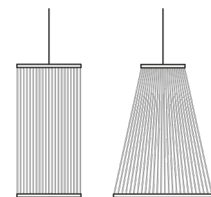


Photometric Data



Efficiency 100%
Coordination System CG
Total Flux 593
Maximum Value 201.28 cd

Other Applications



Array

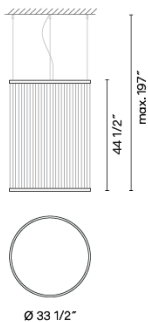
1830

Design By Umut Yamac

The Array pendant combines a series of fine technical filaments between two rings, The indirect light rises through the cylindrical form creating a color gradient.

VIBIA

Spec sheet



Optional: Extra cable length
Min. Quantity, upcharge and extra lead time apply

Finish

- 37 Terra Red
NCS S 4040-Y70R
- 24 Beige M1
NCS S 2005-Y50R
- 47 Green L1
NCS S 4005-G80Y

LED color temperature 2700 K

Dimming 0-10V

Installation type Surface / Remote Micro

Materials
Upper ring: Aluminum
Bottom ring: Brass
Diffuser: PC- Polycarbonate
Threads: PES FR

Light source 1 x LED STRIP 50W 48V

LED CRI>90 6050 lm 121
2700 K

Driver Constant Voltage 100~277 V V
50~60 Hz HZ

Dimmable LED IP20 Multi-volt

UL18 Dry Location 50-60Hz 0-10V

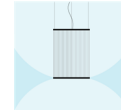
Application Pendants

Packaging
1 Box
4.72 m x 36.61 m x 36.61 m
Gross weight 34.36
Net weight 22.25
Vol. 3.6622

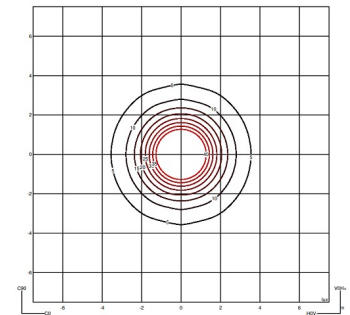
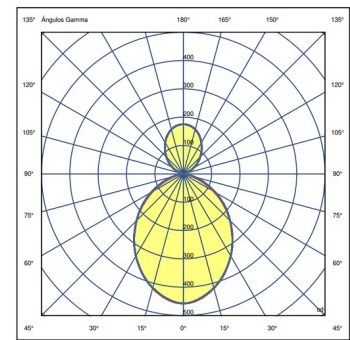
Lighting effect

General lighting

Lamp for general lighting that equally distributes the light in all directions.

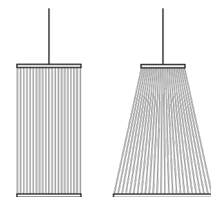


Photometric Data



Efficiency 100%
Coordination System CG
Total Flux 1347
Maximum Value 457.46 cd

Other Applications



Array

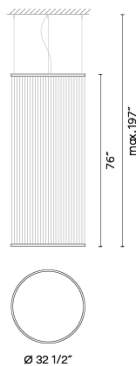
VIBIA

1835

Design By Umut Yamac

The large scale hanging cylindrical silhouette Array lamp wraps around the space rather than dominating it thanks to the spacious spread of the filaments creating a translucence through the volume it occupies.

Spec sheet



Optional: Extra cable length
Min. Quantity, upcharge and extra lead time apply

Finish

- 24 Beige M1
NCS S 2005-Y50R
- 37 Terra Red
NCS S 4040-Y70R
- 47 Green L1
NCS S 4005-G80Y

LED color temperature 2700 K

Dimming 0-10V

Installation type Remote Micro / Surface

Materials Upper ring: Aluminum
Bottom ring: Brass
Diffuser: PC- Polycarbonate
Threads: PES FR

Light source 1 x LED STRIP 50W 48V

LED CRI>90 6050 lm 121
2700 K

Driver Constant Voltage 100~277 V V
50~60 Hz HZ

Dimmable LED IP20 Multi-volt

UL18 Dry Location 50-60Hz 0-10V

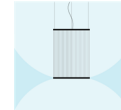
Application Pendants

Packaging 1 Box
4.72 m x 36.61 m x 36.61 m
Gross weight 33.04
Net weight 20.93
Vol. 3.6622

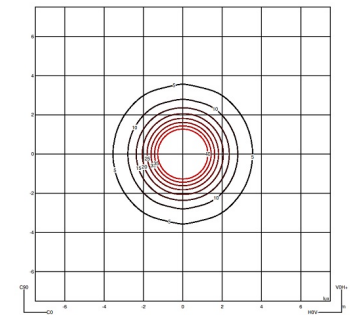
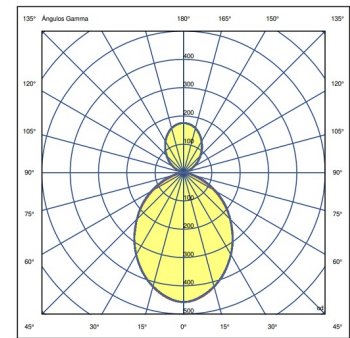
Lighting effect

General lighting

Lamp for general lighting that equally distributes the light in all directions.

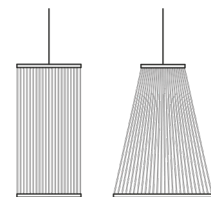


Photometric Data



Efficiency 100%
Coordination System CG
Total Flux 1347
Maximum Value 457.46 cd

Other Applications



Array

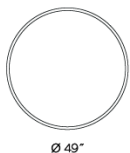
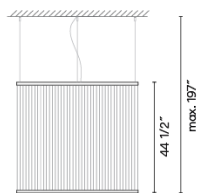
1840

Design By Umut Yamac

The Array pendant combines a series of fine technical filaments between two rings, The indirect light rises through the cylindrical form creating a color gradient.

VIBIA

Spec sheet



Optional: Extra cable length
Min. Quantity, upcharge and extra lead time apply

Finish

- 24 Beige M1
NCS S 2005-Y50R
- 37 Terra Red
NCS S 4040-Y70R
- 47 Green L1
NCS S 4005-G80Y

LED color temperature 2700 K

Dimming 0-10V

Installation type Remote Micro / Surface

Materials Upper ring: Aluminum
Bottom ring: Brass
Diffuser: PC- Polycarbonate
Threads: PES FR

Light source 1 x LED STRIP 76W 48V

LED CRI>90 9196 lm 121
2700 K

Driver Constant Voltage 100~277 V V
50~60 Hz HZ

Dimmable LED IP20 Multi-volt

50-60Hz 0-10V

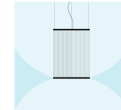
Application Pendants

Packaging 1 Box
4.72 m x 53.15 m x 53.15 m
Gross weight 50.66
Net weight 28.63
Vol. 7.7234

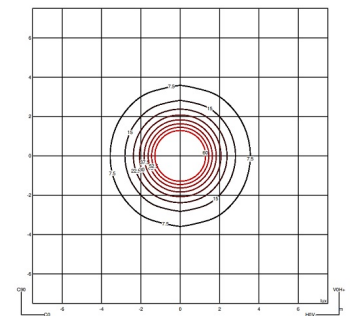
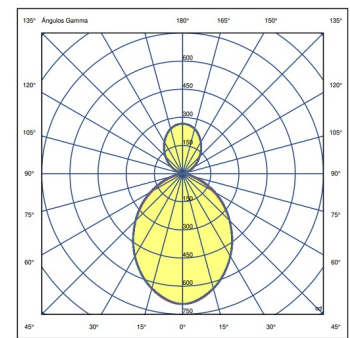
Lighting effect

General lighting

Lamp for general lighting that equally distributes the light in all directions.

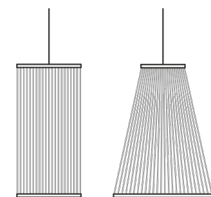


Photometric Data



Efficiency 100%
Coordination System CG
Total Flux 2047 lm
Maximum Value 695.34 cd

Other Applications



Array

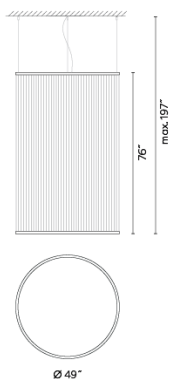
VIBIA

1845

Design By Umut Yamac

The large-scale cylindrical silhouette hanging Array lamp wraps around the space rather than dominating it thanks to the spacious spread of the filament creating a translucence through the volume it occupies.

Spec sheet



Optional: Extra cable length
Min. Quantity, upcharge and extra lead time apply

Finish

- 24 Beige M1
NCS S 2005-Y50R
- 47 Green L1
NCS S 4005-G80Y
- 37 Terra Red
NCS S 4040-Y70R

LED color temperature 2700 K

Dimming 0-10V

Installation type Remote Micro / Surface

Materials

- Upper ring: Aluminum
- Bottom ring: Brass
- Diffuser: PC- Polycarbonate
- Threads: PES FR

Light source 1 x LED STRIP 76W 48V

LED CRI>90 9196 lm 121 2700 K

Driver Constant Voltage 100~277 V V
50~60 Hz HZ

Dimmable LED IP20 Multi-volt

UL18 Dry Location 50-60Hz 0-10V

Application Pendants

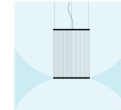
Packaging

- 1 Box
- 4.72 m x 53.15 m x 53.15 m
- Gross weight 52.64
- Net weight 30.62
- Vol. 7.7234

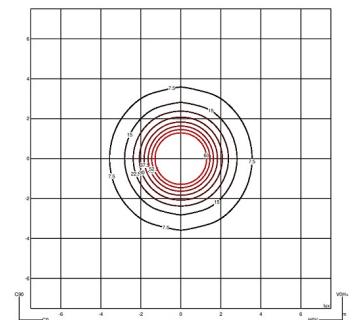
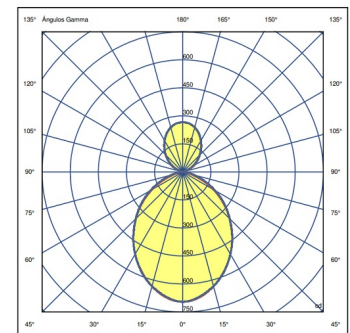
Lighting effect

General lighting

Lamp for general lighting that equally distributes the light in all directions.

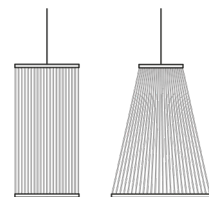


Photometric Data



Efficiency 100%
Coordination System CG
Total Flux 2047 lm
Maximum Value 695.cd cd

Other Applications



Array

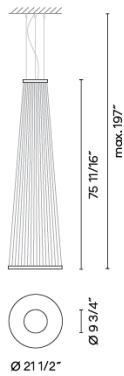
VIBIA

1860

Design By Umut Yamac

The large-scale conical silhouette hanging Array lamp wraps around the space rather than dominating it thanks to the spacious spread of the filaments creating a translucence through the volume it occupies.

Spec sheet



Optional: Extra cable length
Min. Quantity, upcharge and extra lead time apply

Finish

- 24 Beige M1
NCS S 2005-Y50R
- 37 Terra Red
NCS S 4040-Y70R
- 47 Green L1
NCS S 4005-G80Y

LED color temperature 2700 K

Dimming 1-10V

Installation type Surface / Remote Micro

Materials

- Upper ring: Aluminum
- Bottom ring: Brass
- Diffuser: PC- Polycarbonate
- Threads: PES FR

Light source 1 x LED STRIP 33W 48V

LED CRI>90 3993 lm 121
2700 K

Driver Constant Voltage 100~277 V V
50~60 Hz HZ

Dimmable LED IP20 Multi-volt

UL18 Dry Location 50-60Hz 1-10V

Application Pendants

Packaging

- 1 Box
- 4.72 m x 24.41 m x 24.41 m
- Gross weight 19.16
- Net weight 14.32
- Vol. 1.628

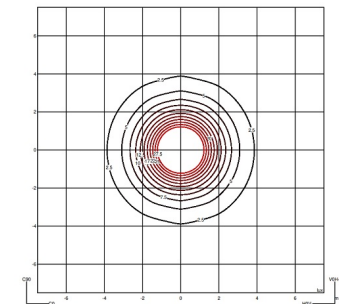
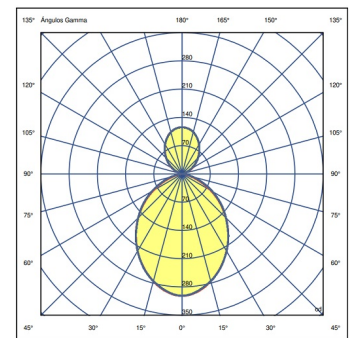
Lighting effect

General lighting

Lamp for general lighting that equally distributes the light in all directions.

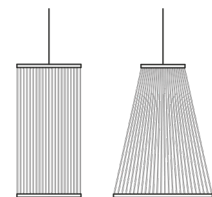


Photometric Data



Efficiency 100%
Coordination System CG
Total Flux 889 lm
Maximum Value 301.92 cd

Other Applications



Array

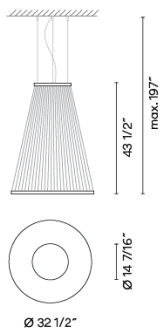
1865

Design By Umut Yamac

The Array pendant combines a series of fine technical filaments between two rings. The indirect light rises through the cylindrical form creating a color gradient.

VIBIA

Spec sheet



Optional: Extra cable length
Min. Quantity, upcharge and extra lead time apply

- Finish**
- 37 Terra Red
NCS S 4040-Y70R
 - 47 Green L1
NCS S 4005-G80Y
 - 24 Beige M1
NCS S 2005-Y50R

LED color temperature 2700 K

Dimming 0-10V

Installation type Surface / Remote Micro

Materials
Upper ring: Aluminum
Bottom ring: Brass
Diffuser: PC- Polycarbonate
Threads: PES FR

Light source 1 x LED STRIP 50W 48V

LED CRI>90 6050 lm 121
2700 K

Driver Constant Voltage 100~277 V V
50~60 Hz HZ

Dimmable LED IP20 Multi-volt

UL18 Dry Location 50-60Hz 0-10V

Application Pendants

Packaging
1 Box
4.72 m x 36.61 m x 36.61 m
Gross weight 31.5
Net weight 19.38
Vol. 3.6622

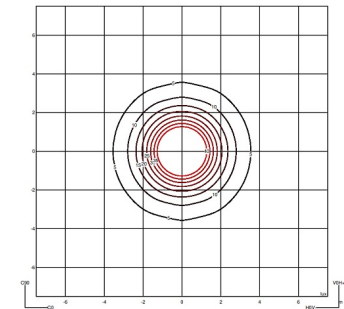
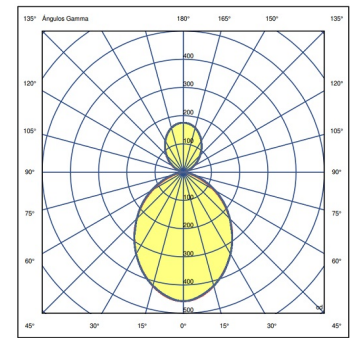
Lighting effect

General lighting

Lamp for general lighting that equally distributes the light in all directions.

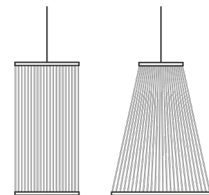


Photometric Data



Efficiency 100%
Coordination System CG
Total Flux 1347 lm
Maximum Value 457.46 cd

Other Applications



Array

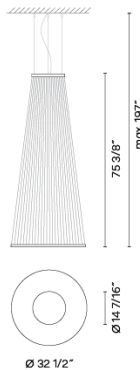
1870

Design By Umut Yamac

The large-scale conical silhouette hanging Array lamp wraps around the space rather than dominating it thanks to the spacious spread of the filaments creating a translucence through the volume it occupies.

VIBIA

Spec sheet



Optional: Extra cable length
Min. Quantity, upcharge and extra lead time apply

- Finish**
- 37 Terra Red
NCS S 4040-Y70R
 - 24 Beige M1
NCS S 2005-Y50R
 - 47 Green L1
NCS S 4005-G80Y

LED color temperature 2700 K

Dimming 0-10V

Installation type Remote Micro / Surface

Materials
Upper ring: Aluminum
Bottom ring: Brass
Diffuser: PC- Polycarbonate
Threads: PES FR

Light source 1 x LED STRIP 50W 48V

LED CRI>90 6050 lm 121
2700 K

Driver Constant Voltage 100~277 V V
50-60 Hz HZ

Dimmable LED IP20 Multi-volt

UL18 Dry Location 50-60Hz 0-10V

Application Pendants

Packaging
1 Box
4.72 m x 36.61 m x 36.61 m
Gross weight 32.82
Net weight 20.7
Vol. 3.6622

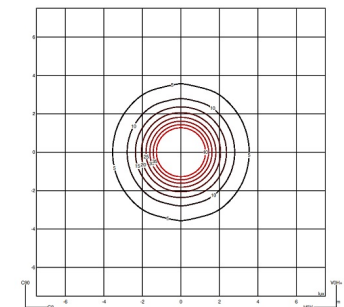
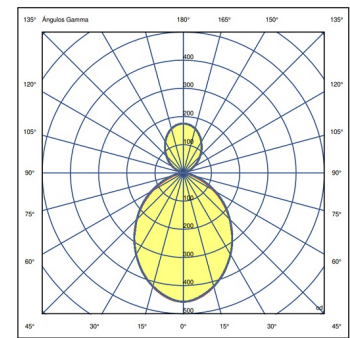
Lighting effect

General lighting

Lamp for general lighting that equally distributes the light in all directions.

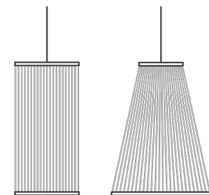


Photometric Data



Efficiency 100%
Coordination System CG
Total Flux 1347 lm
Maximum Value 457.46 cd

Other Applications



Array

1875

Design By Umut Yamac

The hanging Array lamp combines a series of fine technical filaments between two rings. The indirect light rises through its conical shape creating a colour gradient. The combination of shape, texture and luminosity offers an ephemeral visual sensation.

VIBIA

Spec sheet



Optional: Extra cable length
Min. Quantity, upcharge and extra lead time apply

Finish	 24 Beige M1 NCS S 2005-Y50R
	 37 Terra Red NCS S 4040-Y70R
	 47 Green L1 NCS S 4005-G80Y

LED color temperature 2700 K

Dimming 0-10V

Installation type Surface / Remote Micro

Materials Upper ring: Aluminum
Bottom ring: Brass
Diffuser: PC- Polycarbonate
Threads: PES FR

Light source 1 x LED STRIP 76W 48V

LED CRI>90 9196 lm 121
2700 K

Driver Constant Voltage 100~277 V V
50~60 Hz HZ

Dimmable LED IP20 Multi-volt

UL Dry Location 50-60Hz 0-10V

Application Pendants

Packaging 1 Box
4.72 m x 53.15 m x 53.15 m
Gross weight 48.24
Net weight 26.21
Vol. 7.7234

Lighting effect

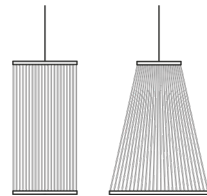
General lighting

Lamp for general lighting that equally distributes the light in all directions.

Photometric Data

Efficiency	100%
Coordination System	CG
Total Flux	2047 lm
Maximum Value	695.34 cd

Other Applications



Array

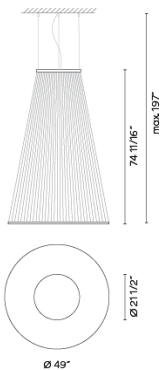
1880

Design By Umut Yamac

The large-scale conical silhouette hanging Array lamp wraps around the space rather than dominating it thanks to the spacious spread of the filaments creating a translucency through the volume it occupies.

VIBIA

Spec sheet



Optional: Extra cable length
Min. Quantity, upcharge and extra lead time apply

- Finish**
- 37 Terra Red
NCS S 4040-Y70R
 - 47 Green L1
NCS S 4005-G80Y
 - 24 Beige M1
NCS S 2005-Y50R

LED color temperature 2700 K

Dimming 0-10V

Installation type Remote Micro / Surface

Materials Upper ring: Aluminum
Bottom ring: Brass
Diffuser: PC- Polycarbonate
Threads: PES FR

Light source 1 x LED STRIP 76W 48V

LED CRI>90 9196 lm 121
2700 K

Driver Constant Voltage 100~277 V V
50-60 Hz HZ

Dimmable LED IP20 Multi-volt

UL Dry Location 50-60Hz 0-10V

Application Pendants

Packaging 1 Box
4.72 m x 53.15 m x 53.15 m
Gross weight 50.22
Net weight 28.19
Vol. 7.7234

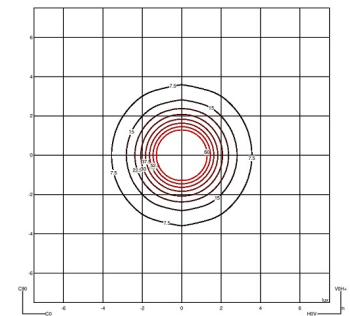
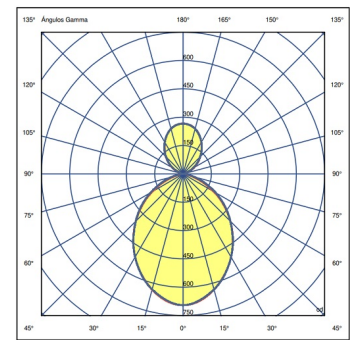
Lighting effect

General lighting

Lamp for general lighting that equally distributes the light in all directions.



Photometric Data



Efficiency 100%
Coordination System CG
Total Flux 2047 lm
Maximum Value 695.34 cd

Other Applications

